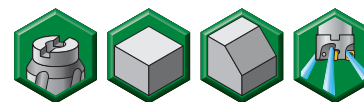


Face Mills • Victory™ M1200 Series

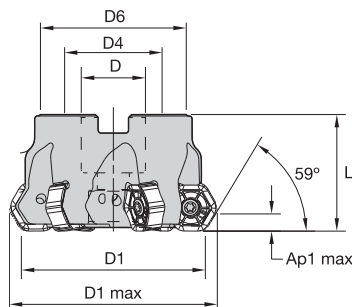
Victory M1200 HD • Shell Mills



- Twelve cutting edges.
- Higher $A_{p1 \max}$ with standard insert.



Face Mills



Shell Mills

order number	catalogue number	D1	D1 max	D	D4	D6	L	$A_{p1 \max}$	Z	max RPM	coolant supply	kg
4152113	M1200HD050Z04HN09	50	58,6	22	—	38	40	6,0	4	12700	Yes	0,29
4152114	M1200HD050Z05HN09	50	58,6	22	—	38	40	6,0	5	12700	Yes	0,28
4152115	M1200HD063Z04HN09	63	71,5	22	—	50	40	6,0	4	10100	Yes	0,54
4152116	M1200HD063Z06HN09	63	71,5	22	—	50	40	6,0	6	10100	Yes	0,55
4152117	M1200HD080Z05HN09	80	88,5	27	—	60	50	6,0	5	7900	Yes	1,05
4152118	M1200HD080Z08HN09	80	88,5	27	—	60	50	6,0	8	7900	Yes	1,10
4152119	M1200HD100Z06HN09	100	108,5	32	—	80	50	6,0	6	6300	Yes	1,61
4152120	M1200HD100Z08HN09	100	108,5	32	—	80	50	6,0	8	6300	Yes	1,63
4152121	M1200HD125Z08HN09	125	133,5	40	—	90	63	6,0	8	5050	Yes	2,88
4152122	M1200HD125Z10HN09	125	133,5	40	—	90	63	6,0	10	5050	Yes	2,85
4152123	M1200HD160Z09HN09	160	168,5	40	66,7	110	63	6,0	9	3900	Yes	4,62
4152124	M1200HD160Z12HN09	160	168,5	40	66,7	110	63	6,0	12	3900	Yes	4,75

Spare Parts

D1	insert screw	Nm	Torx driver	socket-head cap screw	coolant screw assembly	coolant lock screw	coolant cap
50	12146034500	3,5	12148082400	12146120500	—	—	—
63	12146034500	3,5	12148082400	12146120500	—	—	—
80	12146034500	3,5	12148082400	12748701000	—	—	—
100	12146034500	3,5	12148082400	—	12146109400	—	—
125	12146034500	3,5	12148082400	—	—	12146107000	12146111000
160	12146034500	3,5	12148082400	—	—	12146107000	12146111100

NOTE: Coolant screw assembly, coolant lock screw, and coolant cap must be ordered separately.