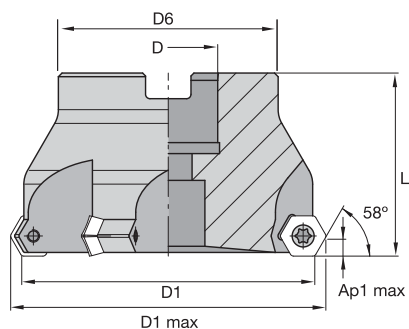


- Six cutting edges.
- Highly positive rake for low-power machines or light fixtures.
- Geometries and grades for all applications.



Face Mills



■ Shell Mills

order number	catalogue number	D1	D1 max	D	D6	L	Ap1 max	Z	max RPM	coolant supply	kg
2263132	12395410200	50	56,4	22	47	40	4,8	4	19000	Yes	0,40
2263154	12395410400	63	69,4	22	50	40	4,8	5	15000	Yes	0,55
2263156	12395410600	80	86,4	27	60	50	4,8	6	11500	Yes	1,05
2263158	12395410800	100	106,4	32	78	50	4,8	7	9500	No	1,50
2263159	12395415800	100	106,4	32	78	50	4,8	10	9500	No	1,65
2263160	12395411000	125	131,4	40	89	63	4,8	8	7500	No	2,90

■ Spare Parts



D1	insert screw	Nm	Torx driver
50	12148038800	4,0	12148000600
63	12148038800	4,0	12148000600
80	12148038800	4,0	12148000600
100	12148038800	4,0	12148000600
125	12148038800	4,0	12148000600