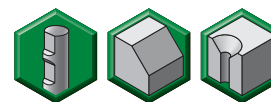


Chamfer Mills • M25™ Series

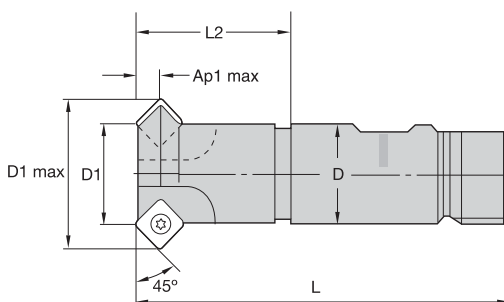
Weldon® Shanks



- Chamfer milling in steel, stainless steel, and cast iron.



Chamfer Mills



Weldon Shanks

order number	catalogue number	D	D1	D1 max	L	L2	Ap1 max	Z	insert 1	coolant supply	kg
2022628	12292510400	16	16	28,8	75	27	6,4	2	SD..0903..	No	0,10
2022629	12292510800	25	25	37,8	96	40	6,4	2	SD..0903..	No	0,30
2022630	12292511000	32	32	44,8	100	40	6,4	3	SD..0903..	No	0,50

Spare Parts



insert screw

12148095100



Nm

3,0



Torx wrench

12148000600