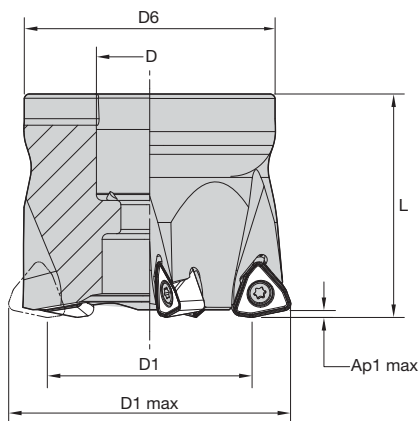
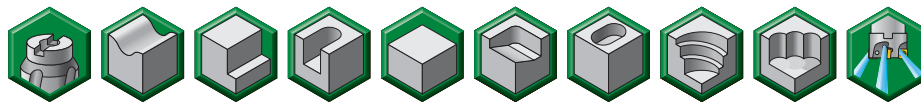


- Double-sided, six cutting edges.
- Highest metal removal rates.
- First choice for roughing applications.



■ Shell Mills

| order number | catalogue number | D1 max | D1 | D | D6 | L | Ap1 max | Z | max RPM | coolant supply | kg |
|--------------|------------------|--------|----|----|----|----|---------|---|---------|----------------|------|
| 4056193 | M370D040Z04WO08 | 40 | 26 | 16 | 37 | 40 | 1,3 | 4 | 33500 | Yes | 0,19 |
| 4170922 | M370D040Z05WO08 | 40 | 26 | 16 | 37 | 40 | 1,3 | 5 | 33500 | Yes | 0,19 |
| 4008276 | M370D050Z05WO08 | 50 | 36 | 22 | 44 | 40 | 1,3 | 5 | 29200 | Yes | 0,29 |
| 4171223 | M370D050Z06WO08 | 50 | 36 | 22 | 44 | 40 | 1,3 | 6 | 29200 | Yes | 0,29 |
| 4171224 | M370D052Z06WO08 | 52 | 38 | 22 | 44 | 50 | 1,3 | 6 | 28600 | Yes | 0,40 |
| 4056194 | M370D052Z05WO08 | 52 | 38 | 22 | 44 | 50 | 1,3 | 5 | 28600 | Yes | 0,41 |
| 4056195 | M370D063Z06WO08 | 63 | 49 | 22 | 60 | 50 | 1,3 | 6 | 25500 | Yes | 0,74 |
| 4008277 | M370D066Z06WO08 | 66 | 52 | 27 | 60 | 50 | 1,3 | 6 | 24900 | Yes | 0,77 |
| 4171225 | M370D080Z07WO08 | 80 | 66 | 27 | 60 | 50 | 1,3 | 7 | 24900 | Yes | 2,36 |

■ Spare Parts

| D1 max | insert screw | Nm | Torx Plus driver | socket-head cap screw | socket-head cap screw with coolant groove |
|--------|--------------|-----|------------------|-----------------------|---|
| 40 | MS2219 | 1,8 | DT9IP | 125.825 | MS1294CG |
| 50 | MS2219 | 1,8 | DT9IP | 12146120500 | MS1234CG |
| 52 | MS2219 | 1,8 | DT9IP | 12146120500 | MS1234CG |
| 63 | MS2219 | 1,8 | DT9IP | 12146120500 | MS1234CG |
| 66 | MS2219 | 1,8 | DT9IP | MS2038 | MS2038CG |
| 80 | MS2219 | 1,8 | DT9IP | MS2038 | MS2038CG |

NOTE: Socket-head cap screw with coolant groove must be ordered separately.