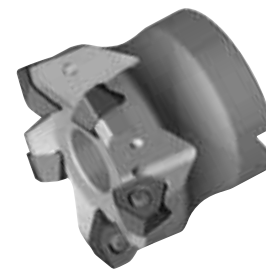
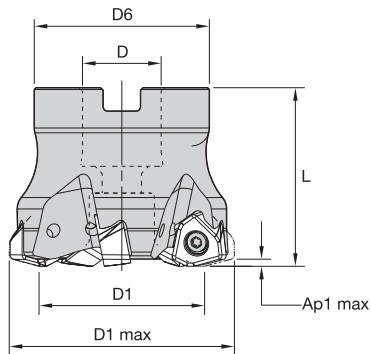
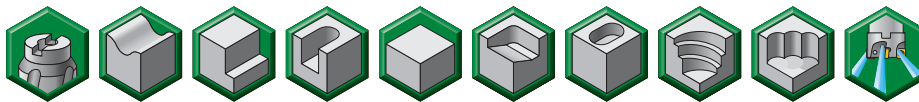


Copy Mills • M370™ Series

iC12 • Shell Mills



- Double-sided, six cutting edges.
- Highest metal removal rates.
- First choice for roughing applications.



Shell Mills

order number	catalogue number	D1 max	D1	D	D6	L	Ap1 max	Z	max RPM	coolant supply	kg
5338913	M370D50Z04WO12	50,0	33	22	42	50	2,0	4	19530	Yes	0,38
5338914	M370D52Z04WO12	52,0	35	22	49	50	2,0	4	19160	Yes	0,47
5338915	M370D63Z04WO12	63,0	46	22	49	50	2,0	4	17400	Yes	0,57
5338916	M370D63Z05WO12	63,0	46	22	49	50	2,0	5	17400	Yes	0,57
5338917	M370D66Z05WO12	66,0	49	27	60	50	2,0	5	17000	Yes	0,79
5338918	M370D80Z05WO12	80,0	63	27	60	50	2,0	5	15440	Yes	0,94
5338919	M370D80Z06WO12	80,0	63	27	60	50	2,0	6	15440	Yes	0,94
5338920	M370D100Z06WO12	100,0	83	32	78	50	2,0	6	13810	Yes	1,56
5338921	M370D100Z07WO12	100,0	83	32	78	50	2,0	7	13810	Yes	1,57
5338922	M370D125Z07WO12	125,0	108	40	90	63	2,0	7	12350	Yes	2,92
5338923	M370D125Z09WO12	125,0	108	40	90	63	2,0	9	12350	Yes	2,94

Spare Parts

D1 max	insert screw	Nm	Torx Plus driver	socket-head cap screw	socket-head cap screw with coolant groove	coolant lock screw	coolant lock screw assembly
50	MS2085	4,0	DT15IP	12146120500	MS1234CG	—	—
52	MS2085	4,0	DT15IP	12146120500	MS1234CG	—	—
63	MS2085	4,0	DT15IP	125.025	MS1234CG	—	—
66	MS2085	4,0	DT15IP	125.230	MS2038CG	—	—
80	MS2085	4,0	DT15IP	125.230	MS2038CG	—	—
100	MS2085	4,0	DT15IP	—	—	KLS32M	MS2195C
125	MS2085	4,0	DT15IP	—	—	KLS40M	MS2187C

NOTE: Socket-head cap screw with coolant groove and coolant lock screw assembly must be ordered separately.