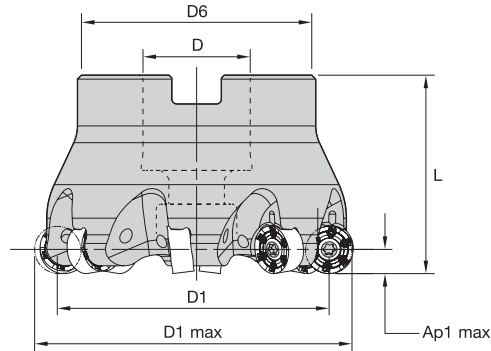
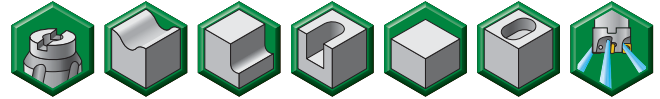


- Double-sided, 12 cutting edges.
- Anti-rotation feature for better stability and higher feed rates.
- Pocketing and profiling capabilities.



■ Shell Mills

order number	catalogue number	D1 max	D1	D	D6	L	Ap1 max	Z	max RPM	coolant supply	kg
4147568	M200D40Z04RN12	40	28	16	38	40	3,0	4	35020	Yes	0,22
4147569	M200D50Z04RN12	50	38	22	42	40	3,0	4	31330	Yes	0,30
4147570	M200D50Z05RN12	50	38	22	42	40	3,0	5	31330	Yes	0,29
4147571	M200D52Z05RN12	52	40	22	49	50	3,0	5	30720	Yes	0,49
4147572	M200D63Z05RN12	63	51	22	49	50	3,0	5	27910	Yes	0,63
4147573	M200D63Z07RN12	63	51	22	49	50	3,0	7	27910	Yes	0,63
4147574	M200D66Z07RN12	66	54	27	60	50	3,0	7	27260	Yes	0,82
4147575	M200D80Z06RN12	80	68	27	60	50	3,0	6	24760	Yes	1,02
4147576	M200D80Z08RN12	80	68	27	60	50	3,0	8	24760	Yes	1,02
4147577	M200D100Z07RN12	100	88	32	78	50	3,0	7	22150	Yes	1,45
4147578	M200D100Z09RN12	100	88	32	78	50	3,0	9	22150	Yes	1,41

■ Spare Parts



D1 max	insert screw	Nm	wrench	low-head cap screw	socket-head cap screw	socket-head cap screw with coolant groove	coolant lock screw	coolant lock screw assembly
40	193.492	4,0	170.025	—	MS1294	MS1294CG	—	—
50	193.492	4,0	170.025	MS1336	—	MS2072CG	—	—
52	193.492	4,0	170.025	—	MS1242	MS1242CG	—	—
63	193.492	4,0	170.025	—	MS1242	MS1242CG	—	—
66	193.492	4,0	170.025	—	MS2038	MS2038CG	—	—
80	193.492	4,0	170.025	—	MS2038	MS2038CG	—	—
100	193.492	4,0	170.025	—	—	—	KLS32M	MS2195C

NOTE: Socket-head cap screw with coolant groove and coolant lock screw assembly must be ordered separately.