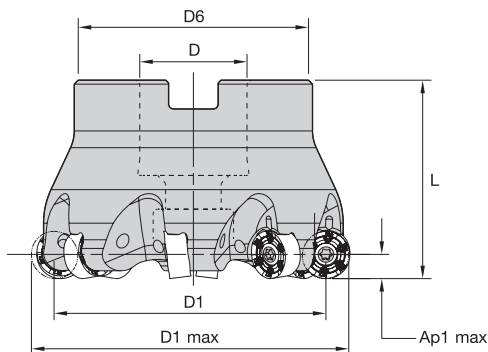


- Double-sided, 12 cutting edges.
- Anti-rotation feature for better stability and higher feed rates.
- Pocketing and profiling capabilities.



■ Shell Mills

order number	catalogue number	D1 max	D1	D	D6	L	Ap1 max	Z	max RPM	coolant supply	kg
5209989	M200D50Z04RN16	50	34	22	42	50	4,0	4	26700	Yes	0,36
5210210	M200D52Z04RN16	52	36	22	42	50	4,0	4	26000	Yes	0,39
5210212	M200D63Z06RN16	63	47	22	49	50	4,0	6	22700	Yes	0,56
5210211	M200D63Z04RN16	63	47	22	49	50	4,0	4	22700	Yes	0,58
5210213	M200D66Z05RN16	66	50	27	60	50	4,0	5	22000	Yes	0,69
5210214	M200D80Z05RN16	80	64	27	60	50	4,0	5	19500	Yes	0,88
5210215	M200D80Z07RN16	80	64	27	60	50	4,0	7	19500	Yes	0,89
5210216	M200D100Z06RN16	100	84	32	78	50	4,0	6	17000	Yes	1,36
5210217	M200D100Z08RN16	100	84	32	78	50	4,0	8	17000	Yes	1,37
5210218	M200D125Z08RN16	125	109	40	90	63	4,0	8	14900	Yes	2,50

■ Spare Parts

D1 max	insert screw	Nm	wrench	socket-head cap screw	socket-head cap screw with coolant groove	coolant lock screw	coolant lock screw assembly
50	192.932	4,0	170.026	MS1242	MS1242CG	—	—
52	MS2260	4,0	170.026	MS1242	MS1242CG	—	—
63	MS2260	4,0	170.026	MS1242	MS1242CG	—	—
63	193.343	4,0	170.026	MS1242	MS1242CG	—	—
66	MS2260	4,0	170.026	MS2038	MS2038CG	—	—
80	MS2260	4,0	170.026	MS2038	MS2038CG	—	—
100	MS2260	4,0	170.026	—	—	KLS32M	MS2195C
125	MS2260	4,0	170.026	—	—	KLS40M	MS2187C

NOTE: Socket-head cap screw with coolant groove and coolant lock screw assembly must be ordered separately.

Copy Mills